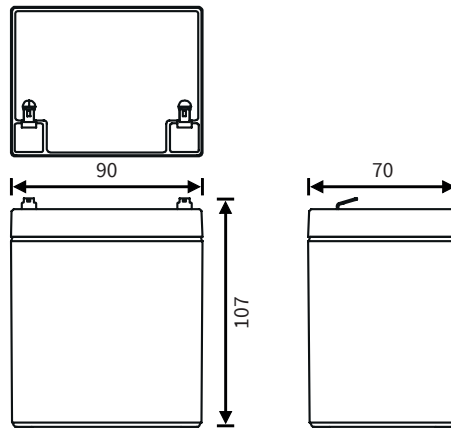


## CPH 5-12

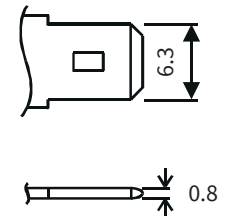
## High Rate AGM battery (3-5 year design life)



### Dimensions (mm)



### Standard terminal (mm)



### Typical applications

- UPS systems
- Data centers
- Telecom systems
- Security systems
- Emergency lighting
- Air traffic power stations
- Medical equipment
- Solar energy

### Features

- Valve Regulated Lead Acid (VRLA)
- Maintenance free
- Absorbent Glassmat Technology (AGM)
- Built to comply with DIN 43534, IEC8962, BS6290-pt.4
- Low self discharge
- Classified as non-spillable under IATA, ADR and IMDG regulations
- Can be discharged or stored in any position without leakage
- Battery cannot be charged while upside down
- Produced under ISO 9001 & ISO 14001

Nominal voltage	12 V
Nominal capacity (1.60V/c, 25°C)	20Hr: 5.82 Ah
	1Hr: 3.59 Ah
Nominal power (1.60V/c, 25°C)	10Min: 32.3 W/cell
Internal resistance	≤19mΩ (fully charged)
Maximum charge current	1.5 A
Maximum discharge current	75 A (max. 5 sec)
Float use / cyclic use	13.5 - 13.8V / 14.4 - 15.0V
Operating temperature range	-15°C ~ 50°C
Designlife (20°C)	3 - 5 years in float (Eurobat)
Standard terminal	Faston 6.3mm (T2)
Housing material	ABS (UL94-HB)
Dimensions Length	90 mm
Dimensions Width	70 mm
Dimensions Height	107 mm
Approximate Weight	1.90 kg
Packing	10 pcs / box

### Constant Current Discharge (Amps) at 25 °C (77°F)

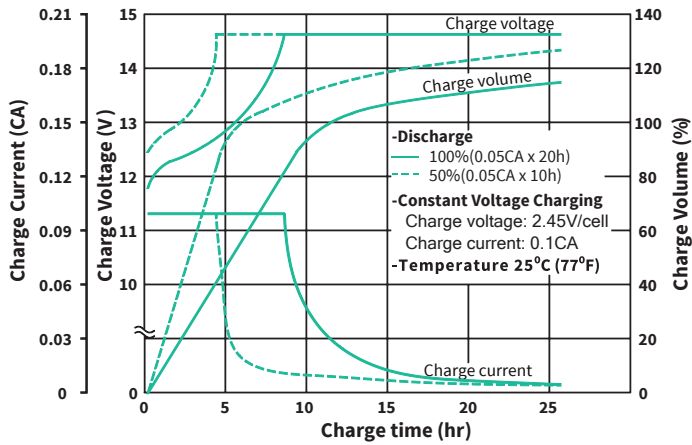
F.V/TIME	5 Min	10 Min	15 Min	30 Min	60 Min	2 Hr	5 Hr	10 Hr	20 Hr
1.80V/cell	21.7	14.8	10.5	6.15	3.20	1.70	0.898	0.506	0.274
1.75V/cell	23.9	15.7	10.9	6.26	3.38	1.79	0.919	0.514	0.279
1.70V/cell	25.8	16.2	11.1	6.38	3.46	1.87	0.942	0.521	0.284
1.65V/cell	27.0	16.9	11.3	6.47	3.53	1.94	0.962	0.529	0.287
1.60V/cell	27.8	17.3	11.5	6.55	3.59	1.99	0.978	0.535	0.291

### Constant Power Discharge (Watts) per Cell\* at 25 °C (77°F)

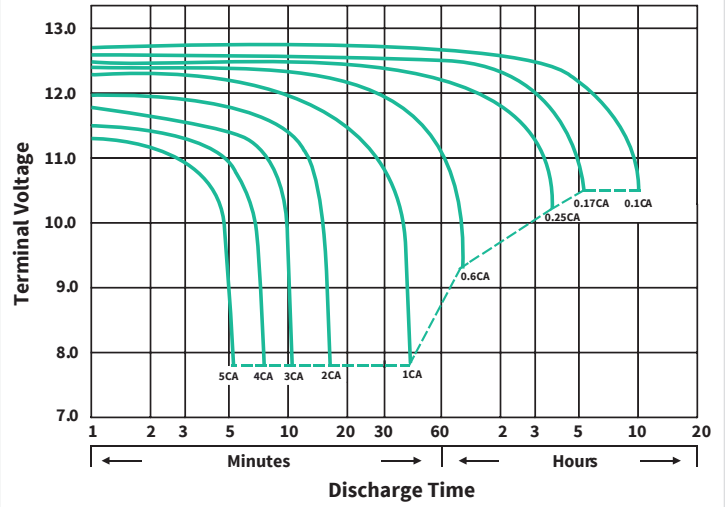
F.V/TIME	5 Min	10 Min	15 Min	30 Min	60 Min	2 Hr	5 Hr	10 Hr	20 Hr
1.80V/cell	39.5	27.7	21.2	11.7	6.27	3.38	1.87	1.09	0.572
1.75V/cell	41.5	29.2	21.8	12.1	6.47	3.53	1.95	1.15	0.603
1.70V/cell	43.5	30.2	22.5	12.5	6.70	3.65	1.98	1.17	0.615
1.65V/cell	45.5	31.3	23.2	12.8	6.93	3.80	2.02	1.19	0.625
1.60V/cell	47.0	32.3	23.7	12.9	7.07	3.92	2.05	1.21	0.633

\*: Battery consists of 6 cells

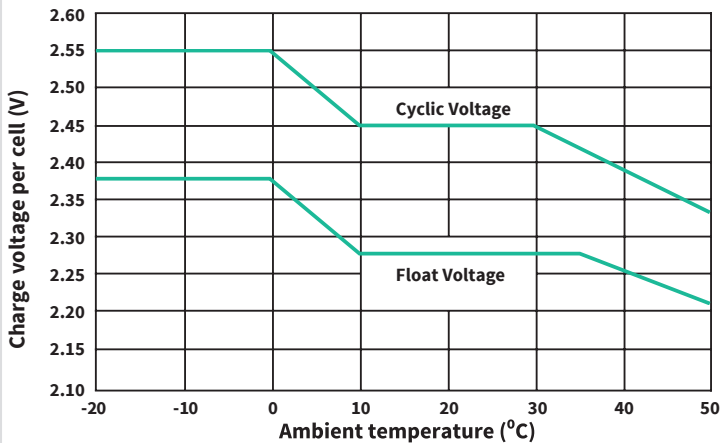
## Charge characteristics



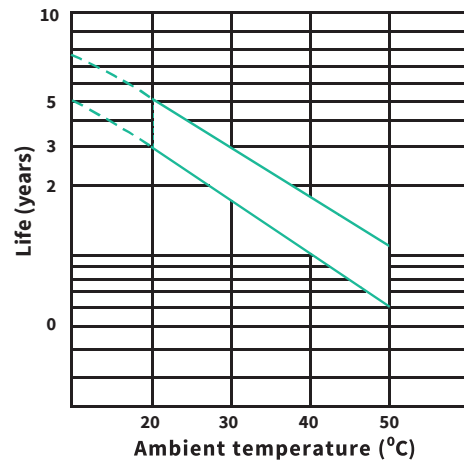
## Discharge characteristics



## Charge voltage in relation to temperature



## Float service life in relation to temperature



## Models available

Model	Voltage	Capacity (Ah)	Dimensions (mm)	Weight (kg)
CPH 5-12	12	5	90x70x107	1.90
CPH 6-12	12	6	151x51x101	2.00
CPH 80-12	12	80	258x166x215	24.50
CPH 95-12	12	95	306x170x225	29.20
CPH 110-12	12	110	339x173x220	31.50
CPH 140-12	12	140	341x173x283	39.50
CPH 150-12	12	150	341x173x283	41.00

## Cellpower family

Cellpower supplies a broad range of reliable AGM, GEL and Lithium batteries. Each product series has its own unique characteristics, so that there is a suitable battery for every application with its associated specific usage profile. Combined with the right Cellpower battery accessories, you are able to assemble a high-quality and reliable battery system.

The sealed, maintenance-free AGM lead battery type has a long operational lifetime. When used correctly, the Absorbent Glass Mat (AGM) technology offers dependable, lasting service. Additionally, AGM batteries exhibit very little self-discharge when compared with other lead-acid batteries. Sealed lead-acid batteries require low maintenance and do not need to be refilled with water or other liquids.

