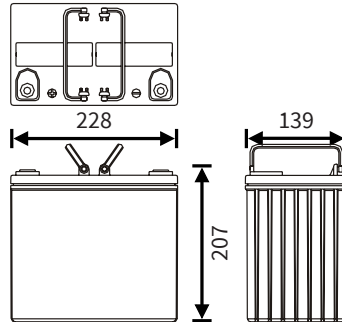


## CPW 270-12

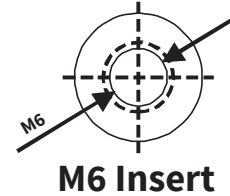
Long life High Rate AGM battery (10-12 years)



### Dimensions (mm)



### Standard terminal (mm)



## Typical applications

- UPS systems
- Data centers
- Telecom systems
- Security systems
- Emergency lighting
- Air traffic power stations
- Start boosters
- Medical equipment

## Features

- Valve Regulated Maintenance Free (VRLA)
- Absorbent Glass Mat Technology (AGM)
- Built to comply with DIN 43534, IEC896-2, BS6290-pt.4
- Low self discharge
- Classified as non-spillable and Non Dangerous goods by IATA, FAA, ADR, IMDG
- Can be discharged or stored in any position without leakage
- Battery cannot be charged while upside down
- Produced under ISO 9001 & ISO 14001

Nominal voltage	12 V
Nominal capacity (1.75V/c, 25°C)	20Hr: 54.7 Ah 10Hr: 52.8 Ah
Nominal power (1.75V/c, 25°C)	10Min: 250.17 W/cell
Internal resistance	≤5mΩ (fully charged)
Maximum charge current	15.9 A
Maximum discharge current	1600 A (max. 5 sec)
Float use / Cycle use	13.5 - 13.8V / 14.4 - 15.0V
Self discharge	Lower than 3% per month
Operating temperature range	-20°C ~ 50°C
Designlife (20°C)	10-12 years in float (EUROBAT)
Standard terminal	Insert M6 (5.5 Nm torque)
Housing material	ABS (UL94-HB)
Dimensions Length	228 mm
Dimensions Width	139 mm
Dimensions Height	207 mm
Approximate Weight	17.80 kg
Packing	1 pcs / box

\*: 5 years warranty optional. Warranty valid for stand-by use only. Additional terms and conditions may apply. Ask your Cellpower representative.

### Constant Current Discharge (Amps) at 25 °C (77°F)

F.V/TIME	5 Min	10 Min	15 Min	30 Min	1 Hr	3 Hr	5 Hr	10 Hr	20 Hr
1.80V/cell	195.0	123.0	101.0	62.0	36.4	14.00	9.160	5.200	2.704
1.75V/cell	214.0	132.0	106.0	64.0	37.0	14.22	9.350	5.280	2.736
1.70V/cell	229.0	138.0	110.0	65.0	37.4	14.24	9.440	5.300	2.756
1.67V/cell	240.3	140.9	112.2	65.6	37.6	14.26	9.447	5.305	2.756
1.65V/cell	242.0	142.0	113.0	66.0	37.7	14.29	9.450	5.308	2.756

### Constant Power Discharge (Watts) per Cell\* at 25 °C (77°F)

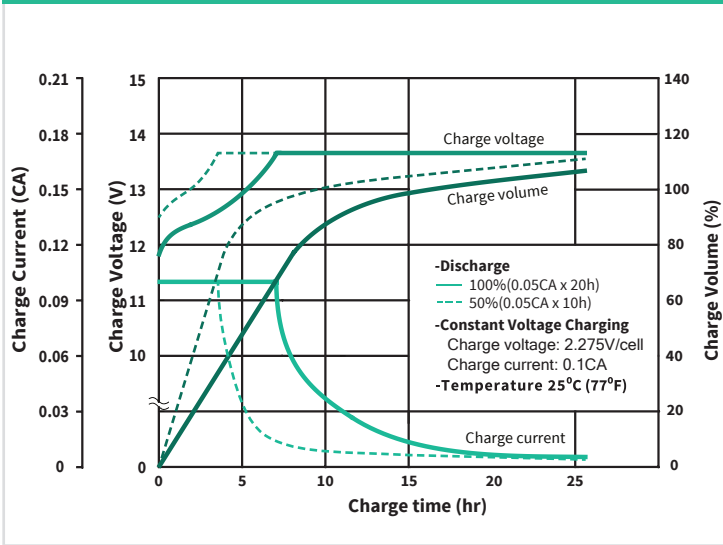
F.V/TIME	5 Min	10 Min	15 Min	30 Min	1 Hr	3 Hr	5 Hr	10 Hr	20 Hr
1.80V/cell	336,50	233,33	193,83	123,33	72,17	28,00	18,32	10,40	5,408
1.75V/cell	377,17	250,17	205,00	126,50	73,33	28,45	18,70	10,60	5,512
1.70V/cell	402,33	260,50	211,67	128,50	74,17	28,47	18,88	10,60	5,512
1.67V/cell	415,35	266,50	215,00	129,23	74,72	28,52	18,90	10,60	5,512
1.65V/cell	418,67	268,67	216,67	130,00	74,83	28,58	18,90	10,60	5,512

### Constant Current / Power Discharge (Amps / Watts) per Cell\* at 25 °C (77°F)

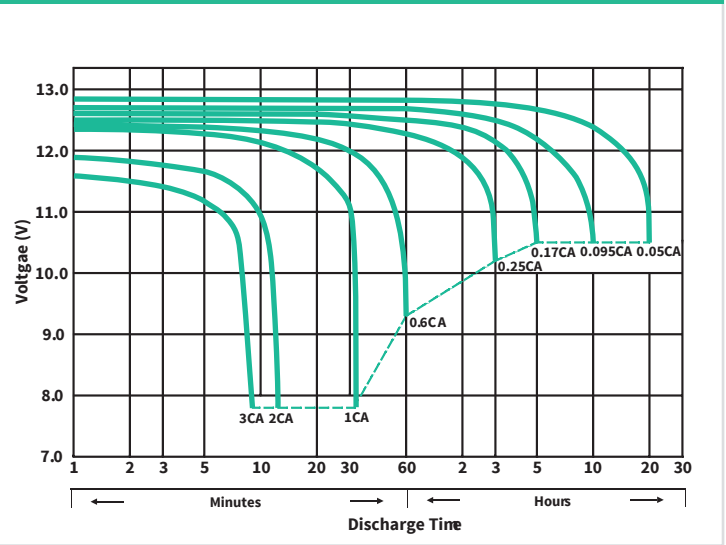
F.V/TIME	5 Min	10 Min	15 Min	30 Min	1 Hr	3 Hr	5 Hr	10 Hr	20 Hr
1.75V/cell	214.0 A	132.0 A	106.0 A	64.0 A	37.0 A	14.22 A	9.350 A	5.280 A	2.736 A
1.75V/cell	377.17 W	250.17 W	205.00 W	126.50 W	73.33 W	28.45 W	18.70 W	10.60 W	5.512 W

\*: Battery consists of 6 Cells

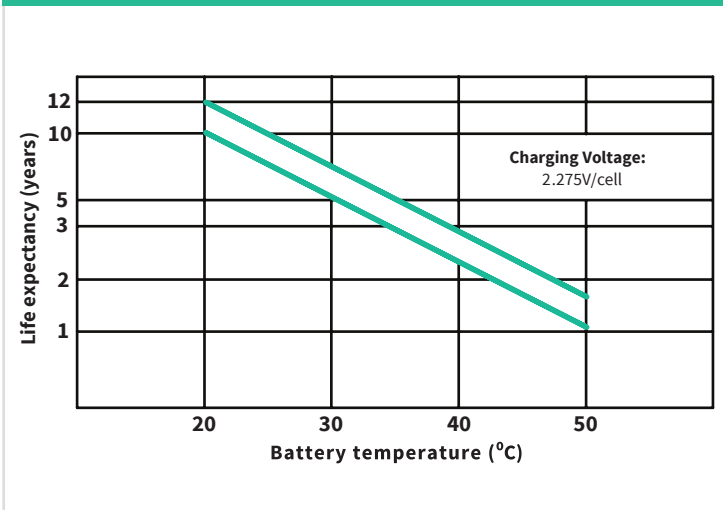
## Charge characteristics



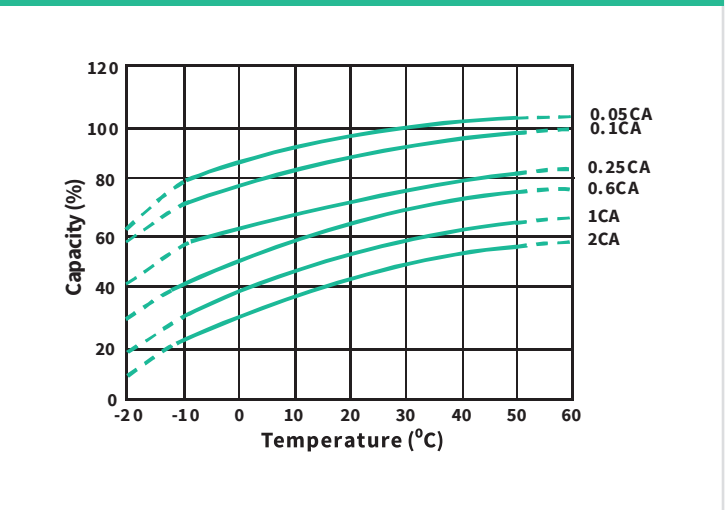
## Discharge characteristics



## Life expectancy in relation to temperature



## Capacity in relation to temperature



## Models available

Model	Voltage	Capacity (Ah)	Dimensions (mm)	Weight (kg)
CPW 30-12	12	5.0	90x70x106	1.80
CPW 35-12	12	7.0	151x65x98	2.20
CPW 35-12L	12	7.0	151x65x98	2.20
CPW 50-12	12	8.5	151x65x100	2.75
CPW 80-12	12	13	151x98x98	4.20
CPW 110-12	12	21	181x76x166	6.50
CPW 140-12	12	28	165x125x175	9.60
CPW 160-12	12	33	195x129x168	11.25
CPW 200-12	12	40	197x165x171	14.30
CPW 270-12	12	55	228x139x207	17.80
CPW 390-12	12	80	261x173x207	26.00
CPW 440-12	12	90	261x173x207	26.40
CPW 530-12	12	110	330x173x218	34.30
CPW 650-12	12	135	344x173x277	41.10
CPW 750-12	12	155	344x173x277	45.50

## Cellpower family

Cellpower supplies a broad range of reliable AGM, GEL and Lithium batteries. Each product series has its own unique characteristics, so that there is a suitable battery for every application with its associated specific usage profile. Combined with the right Cellpower battery accessories, you are able to assemble a high-quality and reliable battery system.

The sealed, maintenance-free GEL battery type has a long operational lifetime. When used correctly, the technology offers dependable, lasting service. Additionally, GEL batteries exhibit very little self-discharge when compared with other lead-acid batteries. Sealed lead-acid batteries require low maintenance and do not need to be refilled with water or other liquids.

