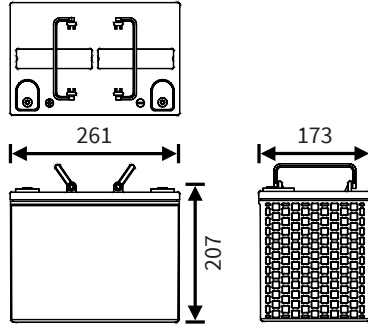


## CPW 440-12

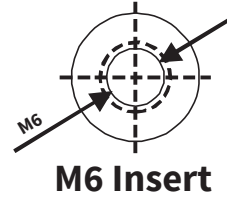
Long life High Rate AGM battery (10-12 years)



### Dimensions (mm)



### Standard terminal (mm)



### Typical applications

- UPS systems
- Data centers
- Telecom systems
- Security systems
- Emergency lighting
- Air traffic power stations
- Start boosters
- Medical equipment

### Features

- Valve Regulated Maintenance Free (VRLA)
- Absorbent Glass Mat Technology (AGM)
- Built to comply with DIN 43534, IEC896-2, BS6290-pt.4
- Low self discharge
- Classified as non-spillable and Non Dangerous goods by IATA, FAA, ADR, IMDG
- Can be discharged or stored in any position without leakage
- Battery cannot be charged while upside down
- Produced under ISO 9001 & ISO 14001

Nominal voltage	12 V
Nominal capacity (1.75V/c, 25°C)	20Hr: 88.0 Ah 10Hr: 80.0 Ah
Nominal power (1.75V/c, 25°C)	10Min: 400.00 W/cell
Internal resistance	≤4mΩ (fully charged)
Maximum charge current	25.8 A
Maximum discharge current	2300 A (max. 5 sec)
Float use / Cycle use	13.5 - 13.8V / 14.4 - 15.0V
Self discharge	Lower than 3% per month
Operating temperature range	-20°C ~ 60°C
Designlife (20°C)	10-12 years in float (EUROBAT)
Standard terminal	Insert M6 (5.5 Nm torque)
Housing material	ABS (UL94-HB)
Dimensions Length	261 mm
Dimensions Width	173 mm
Dimensions Height	207 mm
Approximate Weight	26.40 kg
Packing	1 pcs / box

\*: 5 years warranty optional. Warranty valid for stand-by use only. Additional terms and conditions may apply. Ask your Cellpower representative.

### Constant Current Discharge (Amps) at 25 °C (77°F)

F.V/TIME	5 Min	10 Min	15 Min	30 Min	1 Hr	3 Hr	5 Hr	10 Hr	20 Hr
1.80V/cell	284,00	197,00	165,00	99,00	58,20	21,46	13,59	7,90	4,39
1.75V/cell	311,00	212,00	174,00	102,00	59,20	21,73	13,76	8,00	4,40
1.70V/cell	331,00	221,00	180,00	104,00	59,80	21,76	13,78	8,01	4,41
1.65V/cell	344,00	228,00	185,00	105,00	60,40	21,82	13,81	8,03	4,42
1.60V/cell	355,00	232,00	188,00	107,00	60,80	21,84	13,83	8,03	4,42

### Constant Power Discharge (Watts) per Cell\* at 25 °C (77°F)

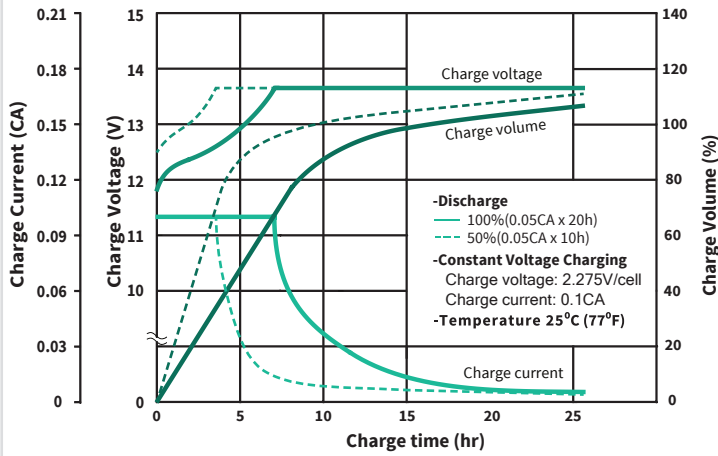
F.V/TIME	5 Min	10 Min	15 Min	30 Min	1 Hr	3 Hr	5 Hr	10 Hr	20 Hr
1.80V/cell	508,00	373,33	316,83	197,17	115,33	42,92	27,18	15,80	7,979
1.75V/cell	569,33	400,33	335,33	202,33	117,33	43,47	27,52	16,00	8,080
1.70V/cell	607,17	417,50	346,83	205,50	118,83	43,52	27,55	16,02	8,090
1.65V/cell	632,50	430,50	354,67	207,83	119,83	43,63	27,62	16,06	8,110
1.60V/cell	650,67	438,33	360,00	210,00	120,83	43,68	27,66	16,08	8,120

### Constant Current / Power Discharge (Amps / Watts) per Cell\* at 25 °C (77°F)

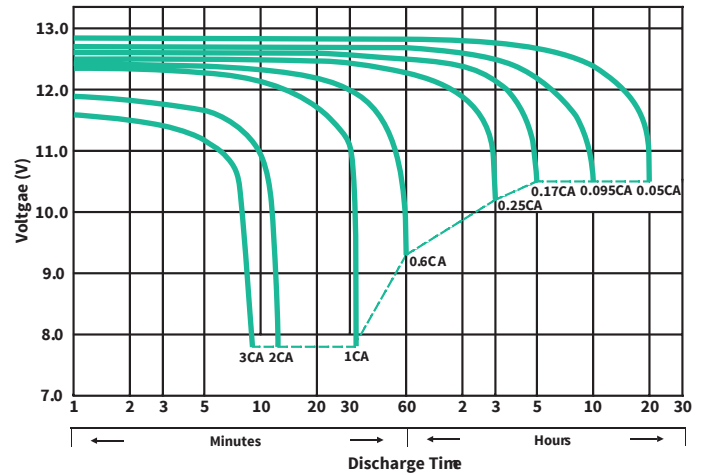
F.V/TIME	5 Min	10 Min	15 Min	30 Min	1 Hr	3 Hr	5 Hr	10 Hr	20 Hr
1.75V/cell	311.00 A	212.00 A	174.00 A	102.00 A	59.20 A	21.73 A	13.76 A	8.00 A	4.40 A
1.75V/cell	569.33 W	400.33 W	335.33 W	202.33 W	117.33 W	43.48 W	27.52 W	16.00 W	8.080 W

\*: Battery consists of 6 Cells

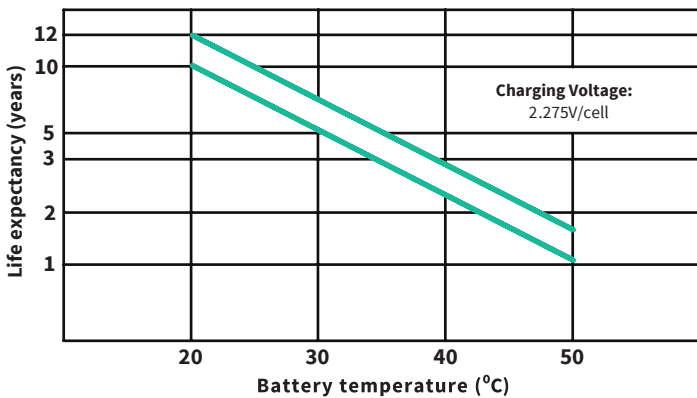
## Charge characteristics



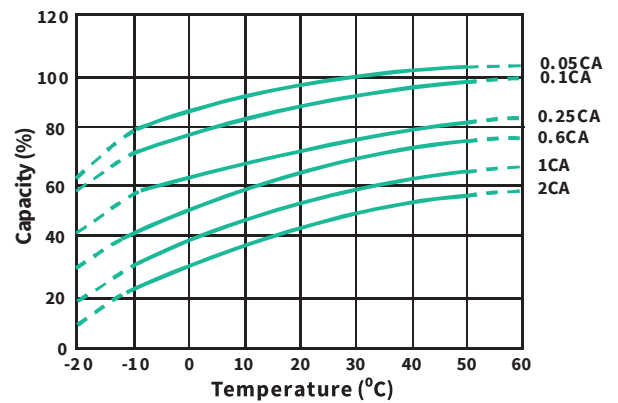
## Discharge characteristics



## Life expectancy in relation to temperature



## Capacity in relation to temperature



## Models available

Model	Voltage	Capacity (Ah)	Dimensions (mm)	Weight (kg)
CPW 30-12	12	5.0	90x70x106	1.80
CPW 35-12	12	7.0	151x65x98	2.20
CPW 35-12L	12	7.0	151x65x98	2.20
CPW 50-12	12	8.5	151x65x100	2.75
CPW 80-12	12	13	151x98x98	4.20
CPW 110-12	12	21	181x76x166	6.50
CPW 140-12	12	28	165x125x175	9.60
CPW 160-12	12	33	195x129x168	11.25
CPW 200-12	12	40	197x165x171	14.30
CPW 270-12	12	55	228x139x207	17.80
CPW 390-12	12	80	261x173x207	26.00
CPW 440-12	12	88	261x173x207	26.40
CPW 530-12	12	110	330x173x218	34.30
CPW 650-12	12	135	344x173x277	41.10
CPW 750-12	12	155	344x173x277	45.50

## Cellpower family

Cellpower supplies a broad range of reliable AGM, GEL and Lithium batteries. Each product series has its own unique characteristics, so that there is a suitable battery for every application with its associated specific usage profile. Combined with the right Cellpower battery accessories, you are able to assemble a high-quality and reliable battery system.

The sealed, maintenance-free GEL battery type has a long operational lifetime. When used correctly, the technology offers dependable, lasting service. Additionally, GEL batteries exhibit very little self-discharge when compared with other lead-acid batteries. Sealed lead-acid batteries require low maintenance and do not need to be refilled with water or other liquids.

