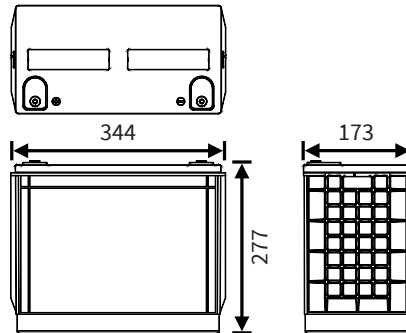


## CPW 750-12

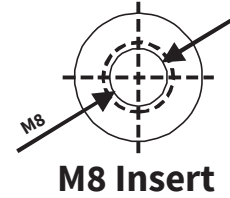
Long life High Rate AGM battery (10-12 years)



### Dimensions (mm)



### Standard terminal (mm)



### Typical applications

- UPS systems
- Data centers
- Telecom systems
- Security systems
- Emergency lighting
- Air traffic power stations
- Start boosters
- Medical equipment

### Features

- Valve Regulated Maintenance Free (VRLA)
- Absorbent Glass Mat Technology (AGM)
- Built to comply with DIN 43534, IEC896-2, BS6290-pt.4
- Low self discharge
- Classified as non-spillable and Non Dangerous goods by IATA, FAA, ADR, IMDG
- Can be discharged or stored in any position without leakage
- Battery cannot be charged while upside down
- Produced under ISO 9001 & ISO 14001

Nominal voltage	12 V
Nominal capacity (1.75V/c, 25°C)	20Hr: 154.2 Ah 10Hr: 150.4 Ah
Nominal power (1.75V/c, 25°C)	10Min: 704.00 W/cell
Internal resistance	≤2.7mΩ (fully charged)
Maximum charge current	45.0 A
Maximum discharge current	3850 A (max. 5 sec)
Float use / Cycle use	13.5 - 13.8V / 14.4 - 15.0V
Self discharge	Lower than 3% per month
Operating temperature range	-20°C ~ 50°C
Designlife (20°C)	10-12 years in float (EUROBAT)
Standard terminal	Insert M8 (10 Nm torque)
Housing material	ABS (UL94-HB)
Dimensions Length	344 mm
Dimensions Width	173 mm
Dimensions Height	277 mm
Approximate Weight	45.50 kg
Packing	1 pcs / box

\*: 5 years warranty optional. Warranty valid for stand-by use only. Additional terms and conditions may apply. Ask your Cellpower representative.

### Constant Current Discharge (Amps) at 25 °C (77°F)

F.V/TIME	5 Min	10 Min	15 Min	30 Min	1 Hr	3 Hr	5 Hr	10 Hr	20 Hr
1.80V/cell	430,00	349,86	284,17	173,94	102,64	39,87	25,55	14,70	7,53
1.75V/cell	473,00	375,36	299,67	180,83	104,19	40,67	26,05	15,04	7,71
1.70V/cell	516,00	400,79	310,00	184,28	105,40	41,04	26,16	15,21	7,80
1.65V/cell	565,00	424,07	318,61	187,72	106,43	41,32	26,42	15,29	7,84
1.60V/cell	598,00	445,64	323,78	189,44	107,12	41,57	26,62	15,32	7,85

### Constant Power Discharge (Watts) per Cell\* at 25 °C (77°F)

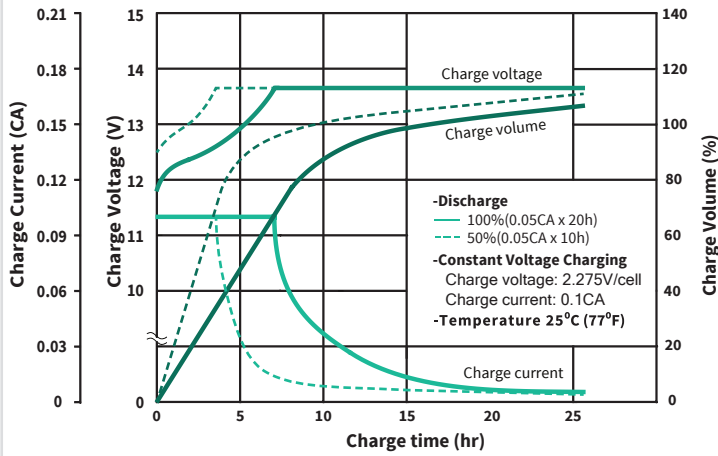
F.V/TIME	5 Min	10 Min	15 Min	30 Min	1 Hr	3 Hr	5 Hr	10 Hr	20 Hr
1.80V/cell	791,00	663,42	546,23	347,60	203,51	79,74	51,10	29,40	15,07
1.75V/cell	866,00	704,38	577,81	356,50	206,67	81,34	52,02	30,09	15,42
1.70V/cell	935,00	733,31	597,61	362,24	208,96	82,07	52,33	30,43	15,60
1.65V/cell	999,00	755,94	611,10	366,26	210,97	82,65	52,84	30,58	15,67
1.60V/cell	1025,00	770,55	620,00	369,70	212,69	83,14	53,24	30,64	15,70

### Constant Current / Power Discharge (Amps / Watts) per Cell\* at 25 °C (77°F)

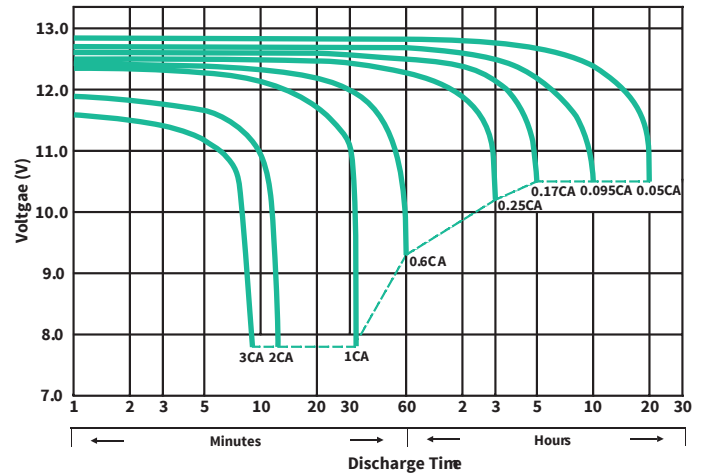
F.V/TIME	5 Min	10 Min	15 Min	30 Min	1 Hr	3 Hr	5 Hr	10 Hr	20 Hr
1.75V/cell	473.00 A	375.36 A	299.67 A	180.83 A	104.19 A	40.67 A	26.05 A	15.04 A	7.71 A
1.75V/cell	866.00 W	704.38 W	577.81 W	356.50 W	206.67 W	81.34 W	52.02 W	30.09 W	15.42 W

\*: Battery consists of 6 Cells

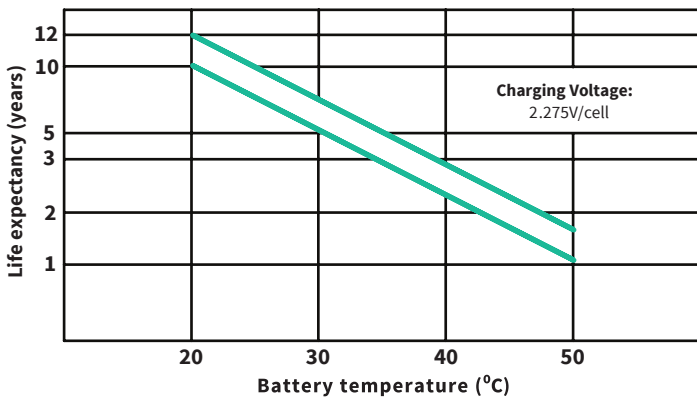
## Charge characteristics



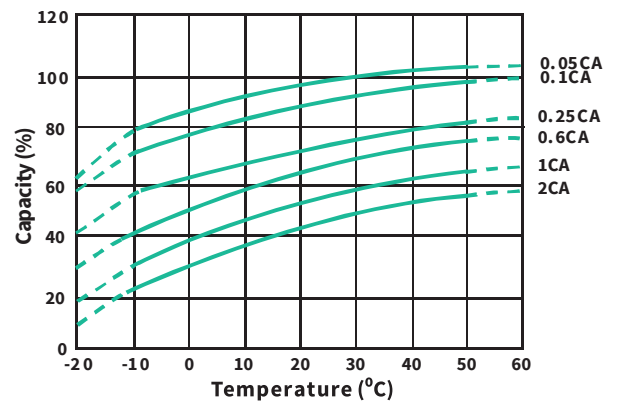
## Discharge characteristics



## Life expectancy in relation to temperature



## Capacity in relation to temperature



## Models available

Model	Voltage	Capacity (Ah)	Dimensions (mm)	Weight (kg)
CPW 30-12	12	5.0	90x70x106	1.80
CPW 35-12	12	7.0	151x65x98	2.20
CPW 35-12L	12	7.0	151x65x98	2.20
CPW 50-12	12	8.5	151x65x100	2.75
CPW 80-12	12	13	151x98x98	4.20
CPW 110-12	12	21	181x76x166	6.50
CPW 140-12	12	28	165x125x175	9.60
CPW 160-12	12	33	195x129x168	11.25
CPW 200-12	12	40	197x165x171	14.30
CPW 270-12	12	55	228x139x207	17.80
CPW 390-12	12	80	261x173x207	26.00
CPW 440-12	12	88	261x173x207	26.40
CPW 530-12	12	110	330x173x218	34.30
CPW 650-12	12	135	344x173x277	41.10
CPW 750-12	12	155	344x173x277	45.50

## Cellpower family

Cellpower supplies a broad range of reliable AGM, GEL and Lithium batteries. Each product series has its own unique characteristics, so that there is a suitable battery for every application with its associated specific usage profile. Combined with the right Cellpower battery accessories, you are able to assemble a high-quality and reliable battery system.

The sealed, maintenance-free GEL battery type has a long operational lifetime. When used correctly, the technology offers dependable, lasting service. Additionally, GEL batteries exhibit very little self-discharge when compared with other lead-acid batteries. Sealed lead-acid batteries require low maintenance and do not need to be refilled with water or other liquids.

