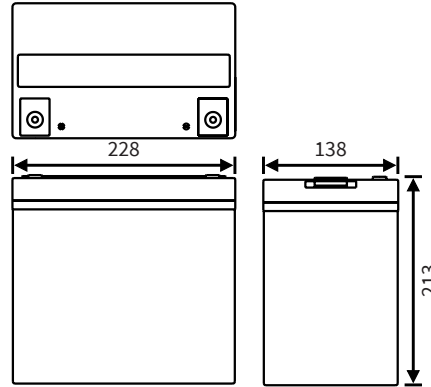


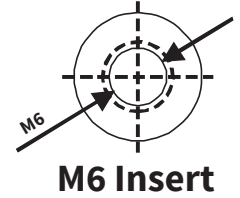
## CPL 55-12I

Long life AGM battery (10-12 year design life)

### Dimensions (mm)



### Standard terminal



No image available at this time

### Typical applications

- UPS systems
- Data centers
- Telecom systems
- Security systems
- Emergency lighting
- Air traffic power stations
- Medical equipment
- Solar energy

### Features

- Valve Regulated Lead Acid (VRLA)
- Maintenance free
- Absorbent Glassmat Technology (AGM)
- Built to comply with DIN 43534, IEC8962, BS6290-pt.4
- Low self discharge
- Classified as non-spillable under IATA, ADR and IMDG regulations
- Can be discharged or stored in any position without leakage
- Battery cannot be charged while upside down
- Produced under ISO 9001 & ISO 14001

Nominal voltage	12 V
Nominal capacity (1.70V/c, 25°C)	20Hr: 60.8 Ah 10Hr: 58.9 Ah
Nominal power (1.65V/c, 25°C)	10Min: 258.0 W/cell
Internal resistance	≤5.8mΩ (fully charged)
Maximum charge current	14.0 A
Maximum discharge current	380 A (max. 5 sec)
Float use / cyclic use	13.6V - 13.8V / 14.1V - 14.4V
Self discharge	Lower than 3% per month
Operating temperature range	-20°C ~ 50°C
Designlife (20°C)	10-12 years in float (Eurobat)
Standard terminal	Insert M6 (7 Nm Torque)
Housing material	ABS (UL94-HB)
Dimensions Length	228 mm
Dimensions Width	138 mm
Dimensions Height	213 mm
Approximate Weight	17.30 kg
Packing	1 pcs / box

### Constant Current Discharge (Amps) at 25 °C (77°F)

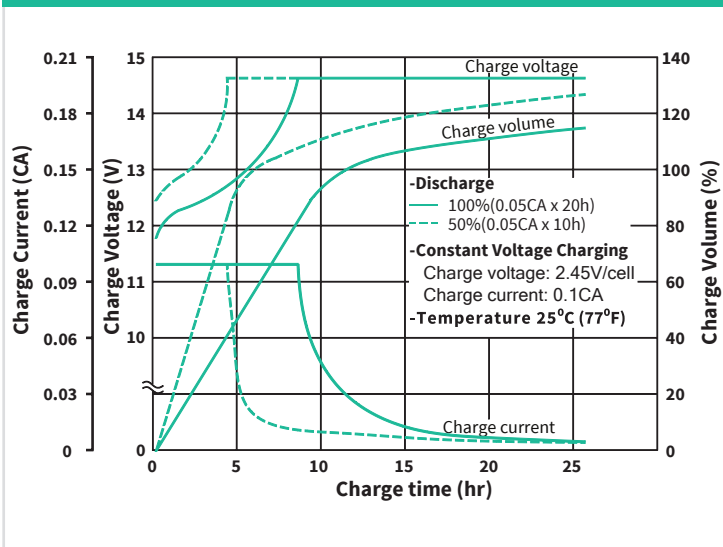
F.V/TIME	5 Min	10 Min	15 Min	20 Min	25 Min	30 Min	35 Min	40 Min	45 Min	60 Min	90 Min	2 Hr	3 Hr	4 Hr	5 Hr	6 Hr	7 Hr	8 Hr	10 Hr	12 Hr	20 Hr
1.85V/cell	180	117	93.0	77.2	65.8	57.5	51.3	46.6	42.7	34.3	25.2	19.9	14.2	11.2	9.29	7.96	6.94	6.18	5.07	4.29	2.62
1.80V/cell	192	125	99.3	82.5	70.3	61.4	54.8	49.8	45.6	36.7	26.9	21.2	15.2	11.9	9.93	8.51	7.41	6.60	5.41	4.59	2.80
1.75V/cell	204	134	106	87.7	74.8	65.4	58.3	53.0	48.5	39.0	28.7	22.6	16.1	12.7	10.6	9.05	7.89	7.02	5.76	4.88	2.98
1.70V/cell	208	136	108	89.6	76.5	66.8	59.6	54.1	49.6	39.9	29.3	23.1	16.5	13.0	10.8	9.25	8.06	7.17	5.89	4.99	3.04
1.67V/cell	210	138	109	90.4	77.1	67.4	60.1	54.6	50.0	40.2	29.6	23.3	16.6	13.1	•	•	•	•	•	•	•
1.65V/cell	211	138	109	90.8	77.4	67.6	60.3	54.8	50.2	40.4	29.7	23.3	16.7	13.1	•	•	•	•	•	•	•
1.60V/cell	213	140	110	91.7	78.2	68.3	60.9	55.3	50.7	40.8	30.0	23.6	16.9	13.2	•	•	•	•	•	•	•

### Constant Power Discharge (Watts) per Cell\* at 25 °C (77°F)

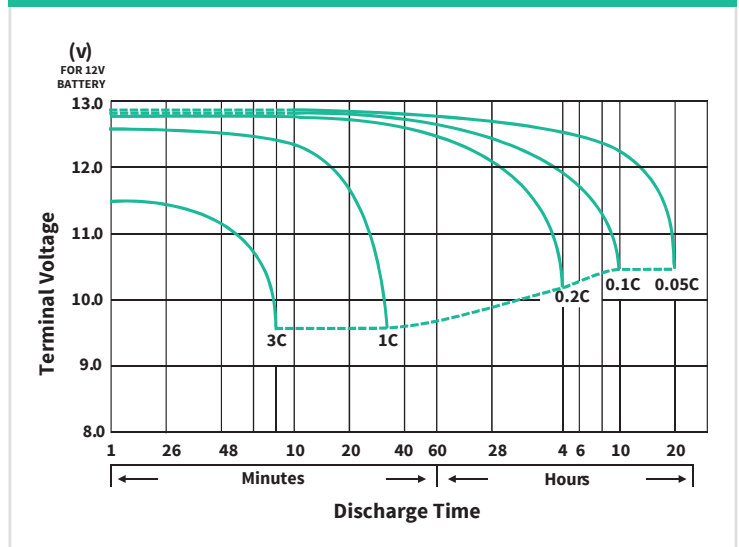
F.V/TIME	5 Min	10 Min	15 Min	20 Min	25 Min	30 Min	35 Min	40 Min	45 Min	60 Min	90 Min	2 Hr	3 Hr	4 Hr	5 Hr	6 Hr	7 Hr	8 Hr	10 Hr	12 Hr	20 Hr
1.85V/cell	372	220	166	139	121	108	99.1	90.0	82.8	66.1	47.9	37.7	27.0	21.5	18.0	15.5	13.6	12.2	10.0	8.51	5.30
1.80V/cell	397	235	177	148	129	115	106	96.1	88.5	70.6	51.2	40.2	28.8	23.0	19.2	16.6	14.6	13.0	10.7	9.09	5.66
1.75V/cell	422	250	189	158	137	123	113	102	94.1	75.1	54.5	42.8	30.7	24.5	20.4	17.6	15.5	13.8	11.4	9.67	6.02
1.70V/cell	432	255	193	161	140	126	115	104	96.2	76.8	55.7	43.7	31.3	25.0	20.8	18.0	15.8	14.1	11.6	9.88	6.15
1.67V/cell	435	257	195	162	142	127	116	105	97.1	77.4	56.2	44.1	31.6	25.2	•	•	•	•	•	•	•
1.65V/cell	437	258	195	163	142	127	117	106	97.4	77.7	56.4	44.3	31.7	25.3	•	•	•	•	•	•	•
1.60V/cell	441	261	197	165	143	128	118	107	98.4	78.5	56.9	44.7	32.0	25.6	•	•	•	•	•	•	•

\*: Battery consists of 6 cells

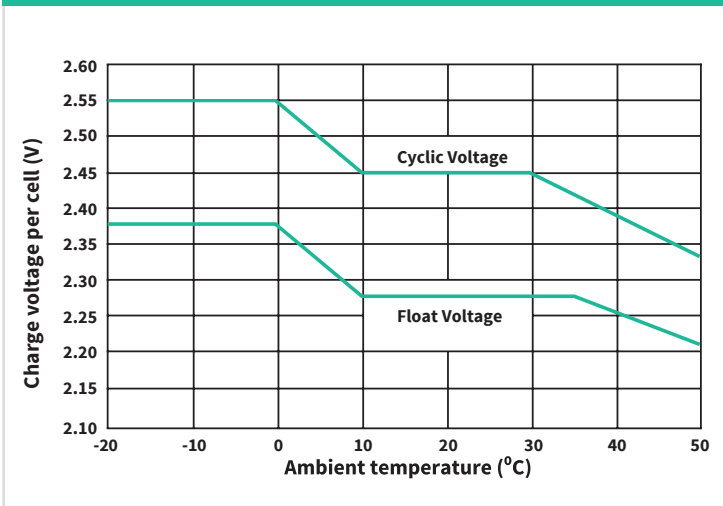
## Charge characteristics



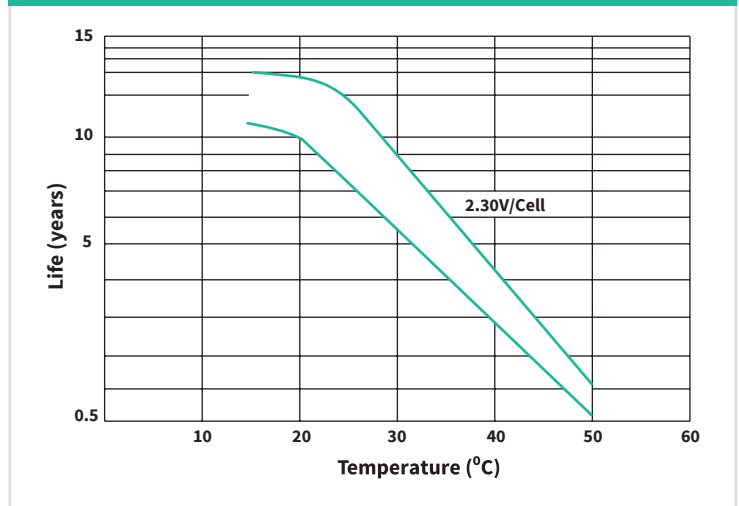
## Discharge characteristics



## Charge voltage in relation to temperature



## Service life in relation to temperature



## Models available

Model	Voltage	Capacity (Ah)	Dimensions (mm)	Weight (kg)
CPL 9-12L	12	9	151x65x102	2.70
CPL 12-12	12	12	151x98x101	3.70
CPL 18-12	12	18	181x76x167	5.45
CPL 28-12I	12	28	168x178x124	8.40
CPL 28-12IA	12	28	164x124x175	9.00
CPL 33-12	12	33	195x130x160	10.70
CPL 45-12I	12	45	198x167x160	13.80
CPL 55-12I	12	55	229x138x213	17.30
CPL 65-12IJ	12	65	350x167x179	23.40
CPL 80-12	12	80	260x170x207	24.20
CPL 100-12	12	100	307x168x214	29.50
CPL 135-12	12	135	342x172x285	41.40
CPL 150-12	12	150	485x172x240	47.00
CPL 250-12	12	250	521x269x220	78.00

## Cellpower family

Cellpower supplies a broad range of reliable AGM, GEL and Lithium batteries. Each product series has its own unique characteristics, so that there is a suitable battery for every application with its associated specific usage profile. Combined with the right Cellpower battery accessories, you are able to assemble a high-quality and reliable battery system.

The sealed, maintenance-free AGM lead battery type has a long operational lifetime. When used correctly, the Absorbed Glass Mat (AGM) technology offers dependable, lasting service. Additionally, AGM batteries exhibit very little self-discharge when compared with other lead-acid batteries. Sealed lead-acid batteries require low maintenance and do not need to be refilled with water or other liquids.

