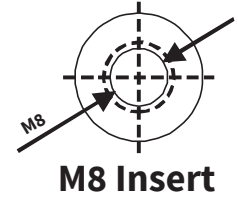
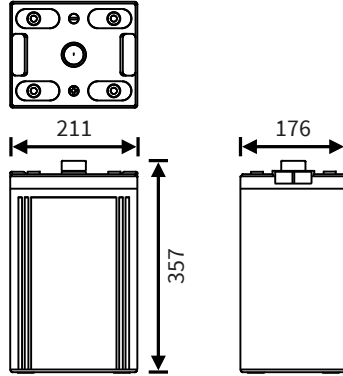


CPR 400-2

Railway AGM battery (15 year design life)

Dimensions (mm)

Standard terminal



No image available
at this time

Typical applications

- Railway infrastructure
- Highway infrastructure
- Vibrating applications
- UPS systems
- Data centers
- Security systems
- Air traffic power stations
- Medical equipment
- Military bases

Features

- Service life up to 15 years
- Highly vibration and shock resistant
- Valve Regulated Lead Acid (VRLA)
- Absorbent Glass Mat Technology (AGM)
- Maintenance free
- Low self-discharge rate
- Classified as non-spillable under IATA, ADR and IMDG regulations
- Can be discharged or stored in any position without leakage
- Battery cannot be charged while upside down
- Produced under ISO 9001 & ISO 14001

Nominal voltage	2 V
Nominal capacity (1.75V/c, 25°C)	20Hr: 445.2 Ah
	10Hr: 422.0 Ah
	5Hr: 360.0 Ah
Internal resistance	≤0.8mΩ (fully charged)
Maximum charge current	100 A
Maximum discharge current	1760 A (max. 5 sec)
Float use / cyclic use	2.25 - 2.30V / 2.40 - 2.50V
Self discharge	Lower than 3% per month
Operating temperature range	-20°C ~ 50°C
Designlife (20°C)	15 years in float
Standard terminal	Insert M8 (10 Nm torque)
Housing material	Flame retardant ABS (UL 94-V0)
Dimensions Length	211 mm
Dimensions Width	176 mm
Dimensions Height	357 mm
Approximate Weight	31.5 kg
Packing	1 pcs / box

Constant Current Discharge (Ampères) per Cell* at 25 °C (77°F)

F.V/TIME	30 Min	60 Min	2 Hr	3 Hr	4 Hr	5 Hr	8 Hr	10 Hr	20 Hr
1.80V/cell	312.0	212.0	132.0	100.0	81.6	68.0	48.4	40.0	21.40
1.75V/cell	344.6	226.0	140.6	105.9	85.6	72.0	50.6	42.2	22.26
1.70V/cell	382.0	242.4	146.6	110.4	87.8	74.4	52.4	43.8	22.90
1.65V/cell	409.0	252.2	150.6	114.0	90.0	76.4	54.0	44.6	23.20
1.60V/cell	430.0	258.6	155.0	116.5	91.6	77.6	55.0	45.0	23.26

Constant Power Discharge (Watts) per Cell* at 25 °C (77°F)

F.V/TIME	30 Min	60 Min	2 Hr	3 Hr	4 Hr	5 Hr	8 Hr	10 Hr	20 Hr
1.80V/cell	582.0	396.0	250.0	191.4	154.4	131.6	95.2	78.7	42.13
1.75V/cell	637.6	420.0	265.0	201.2	161.8	137.6	98.2	82.2	43.38
1.70V/cell	700.0	448.0	274.0	208.1	165.0	141.0	100.2	85.0	44.10
1.65V/cell	752.0	462.0	278.0	212.3	168.4	143.0	102.0	86.2	44.47
1.60V/cell	767.0	466.0	282.0	214.3	170.4	145.0	103.0	87.0	44.60

*: Battery consists of 1 Cell

Certifications

ISO9001 Flame retardant casing **TS-1352**

- IEC60896-21/22
- JIS C 8704-2
- GB/T19638.2
- YD/T799

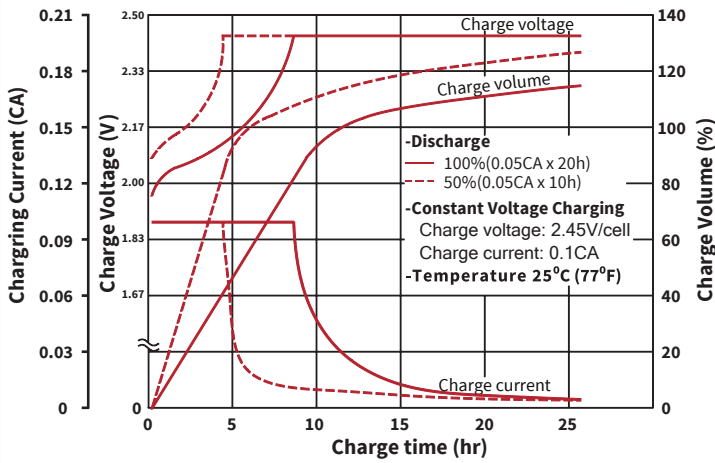
ISO14001

ProRail

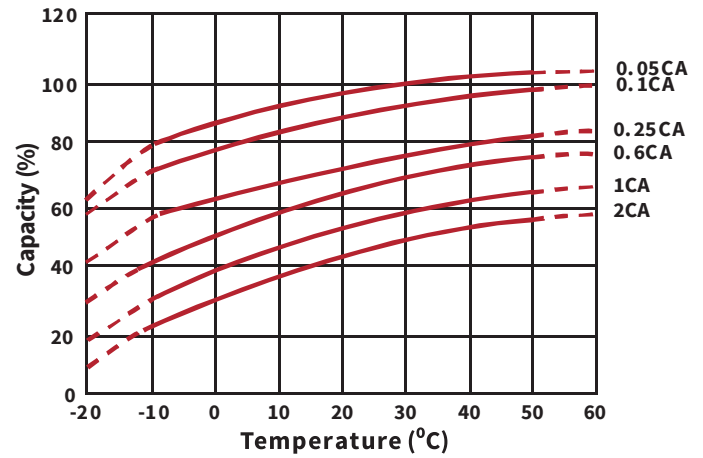
 Certified product

Certificate no. 0941/2016/CoC/RC104122-02

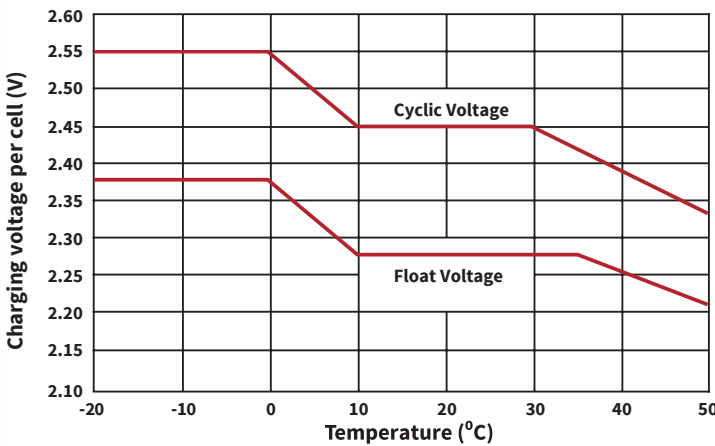
Charge characteristics



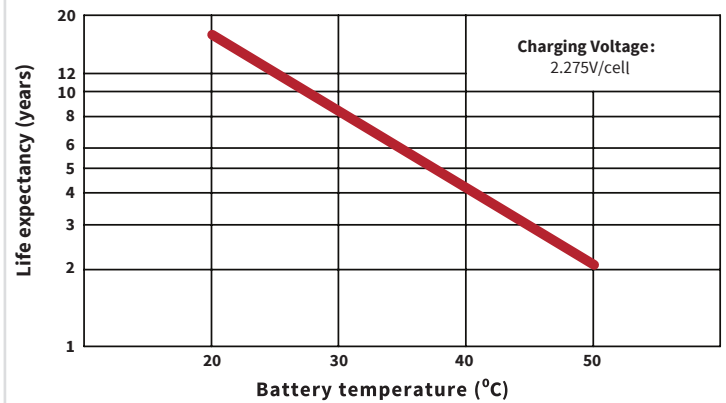
Capacity in relation to temperature



Charge voltage in relation to temperature



Life expectancy in relation to temperature



Models available

Model	Voltage	Capacity (Ah)	Dimensions (mm)	Weight (kg)
CPR 3.3-12	12	3.3	134x67x66	1.35
CPR 7-12	12	7.0	151x65x98	2.60
CPR 7.5-12	12	7.5	151x65x100	2.70
CPR 12-12	12	12	151x98x98	4.10
CPR 20-12	12	20	181x76x166	6.40
CPR 28-12	12	28	166x175x125	9.70
CPR 33-12F	12	33	195x129x179	11.50
CPR 40-12	12	40	197x165x171	14.60
CPR 65-12	12	65	350x166x174	22.70
CPR 80-12	12	80	260x168x215	26.80
CPR 95-12	12	95	329x172x218	33.20
CPR 110-12	12	110	407x173x239	40.00
CPR 150-12	12	150	483x171x240	51.80
CPR 210-12	12	210	522x240x220	73.20
CPR 170-6	6	170	260x171x244	29.20
CPR 200-2	2	200	173x111x357	16.00
CPR 300-2	2	300	171x151x358	21.20
CPR 400-2	2	400	211x176x357	31.50
CPR 500-2	2	500	241x172x359	36.00
CPR 600-2	2	600	301x175x359	46.00
CPR 800-2	2	800	410x175x358	63.00
CPR 1000-2	2	1000	475x175x356	72.00
CPR 1500-2	2	1500	400x350x369	128.00
CPR 2000-2	2	2000	490x350x371	153.00
CPR 3000-2	2	3000	710x353x369	215.00

Cellpower family

Cellpower supplies a broad range of reliable AGM, GEL and Lithium batteries. Each product series has its own unique characteristics, so that there is a suitable battery for every application with its associated specific usage profile. Combined with the right Cellpower battery accessories, you're able to assemble a high-quality and reliable battery system.

The sealed, maintenance-free AGM lead battery type has a long operational lifetime. When used correctly, the Absorbent Glass Mat (AGM) technology offers dependable, lasting service. Additionally, AGM batteries exhibit very little self-discharge when compared with other lead-acid batteries. Sealed lead-acid batteries require low maintenance and do not need to be refilled with water or other liquids.

