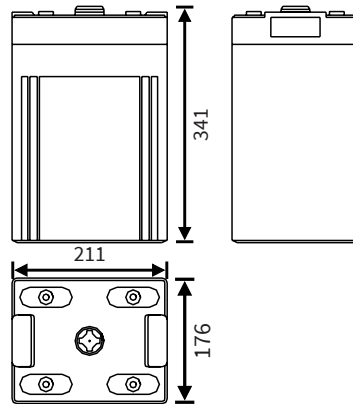


CPS 400-2

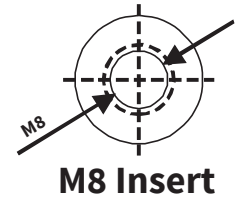
Single cell battery (20 year design life)



Dimensions (mm)



Standard terminal



Typical applications

- Marine
- UPS systems
- Data centers
- Telecom systems
- Security systems
- Air traffic power stations
- Medical equipment
- Solar energy
- Military bases

Features

- Valve Regulated Lead Acid (VRLA)
- Absorbent Glass Mat Technology (AGM)
- Maintenance free
- Low self-discharge rate
- Classified as non-spillable and Non Dangerous goods by IATA, FAA, ADR, IMDG
- Can be discharged or stored in any position without leakage
- Battery cannot be charged while upside down
- Produced under ISO 9001 & ISO 14001

| | |
|----------------------------------|-------------------------------|
| Nominal voltage | 2 V |
| Nominal capacity (1.75V/c, 25°C) | 10Hr: 409.0 Ah |
| | 5Hr: 360.0 Ah |
| | 1Hr: 219.0 Ah |
| Internal resistance | ≤0.72mΩ (fully charged) |
| Maximum charge current | 80 A |
| Maximum discharge current | 2000 A (max. 5 sec) |
| Float use / cyclic use | 2.20 - 2.30V / 2.40 - 2.45V |
| Self discharge | Lower than 3% per month |
| Operating temperature range | -20°C ~ 60°C |
| Designlife (20°C) | 20 years in float |
| Standard terminal | Insert M8 (12.4 Nm torque) |
| Housing material | Flame retardant ABS (UL94-V0) |
| Dimensions Length | 211 mm |
| Dimensions Width | 176 mm |
| Dimensions Height | 341 mm (367 mm with cover) |
| Approximate Weight | 28.0 kg |
| Packing | 1 pcs / box |

Constant Current Discharge (Amps) at 25 °C (77°F)

| FV/TIME | 15 Min | 30 Min | 45 Min | 60 Min | 3 Hr | 5 Hr | 10 Hr |
|------------|--------|--------|--------|--------|------|------|-------|
| 1.80V/cell | 470 | 347 | 269 | 208 | 98 | 69.4 | 40.0 |
| 1.75V/cell | 500 | 368 | 284 | 219 | 102 | 72.0 | 40.9 |
| 1.70V/cell | 530 | 388 | 298 | 229 | 106 | 74.0 | 41.7 |
| 1.65V/cell | 559 | 408 | 312 | 238 | 110 | 75.9 | 42.4 |
| 1.60V/cell | 587 | 427 | 325 | 247 | 114 | 77.7 | 43.0 |

Constant Power Discharge (Watts) per Cell* at 25 °C (77°F)

| FV/TIME | 15 Min | 30 Min | 45 Min | 60 Min | 2 Hr | 3 Hr | 5 Hr |
|------------|--------|--------|--------|--------|------|------|------|
| 1.80V/cell | 710 | 587 | 509 | 401 | 246 | 185 | 125 |
| 1.75V/cell | 760 | 626 | 543 | 425 | 260 | 197 | 132 |
| 1.70V/cell | 810 | 665 | 576 | 449 | 270 | 203 | 135 |
| 1.65V/cell | 860 | 703 | 610 | 471 | 286 | 209 | 138 |
| 1.60V/cell | 909 | 740 | 641 | 493 | 310 | 214 | 140 |

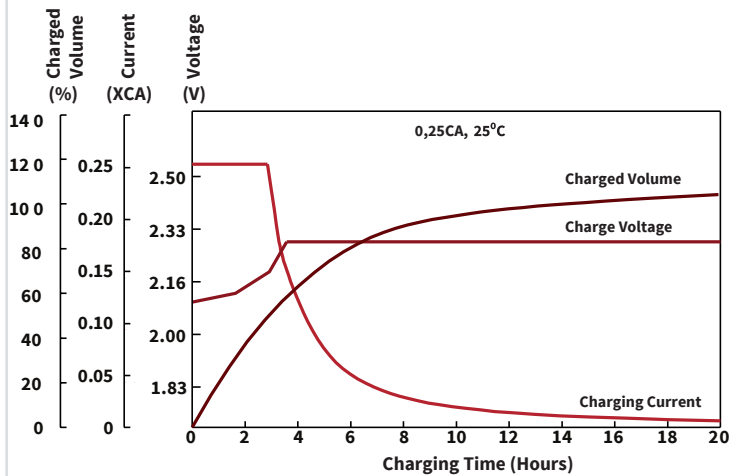
*: Battery consists of 1 cell

Recommended

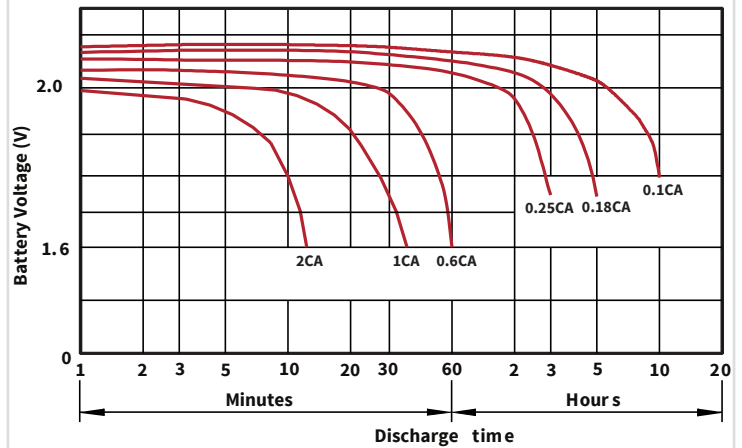
Having the right battery is often just the beginning. Optimal use of a battery requires having a good battery charger, so that the user can be sure that their battery is always optimally charged and has maximum lifespan. Cellpower offers various intelligent battery chargers, as well as battery testers, battery monitors, battery guards and galvanic isolators. All designed to easily monitor the battery quality and make sure the battery remains in the best condition possible.



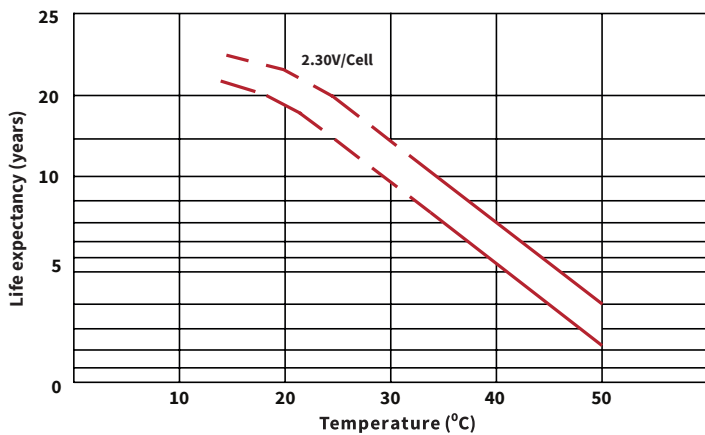
Charge characteristics



Discharge characteristics

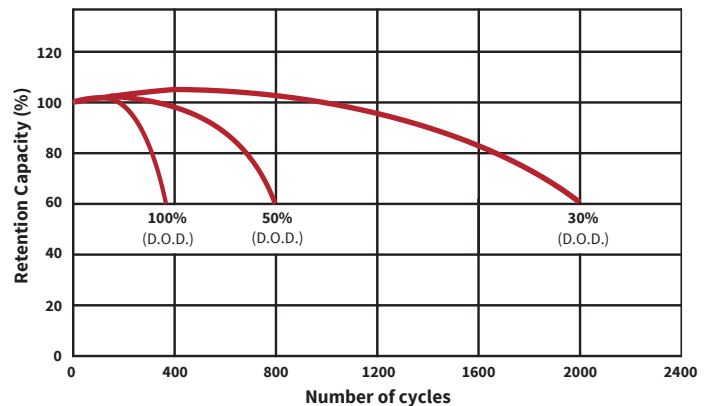


Relationship between servicelife and temperature



Cycle service life in relation to depth of discharge

Testing conditions: Discharge current 0.17CA (FV 1.70V/cell)
Ambient Temperature: 25°C (77F)



Models available

| Model | Voltage | Capacity (Ah) | Dimensions (mm) | Weight (kg) |
|------------|---------|---------------|-----------------|-------------|
| CPS 200-2 | 2 | 200 | 173x111x329/364 | 14.2 |
| CPS 300-2 | 2 | 300 | 171x151x330/364 | 20.0 |
| CPS 400-2 | 2 | 400 | 211x176x329/367 | 28.0 |
| CPS 500-2 | 2 | 500 | 241x173x330/365 | 33.0 |
| CPS 600-2 | 2 | 600 | 302x175x331/367 | 40.0 |
| CPS 1000-2 | 2 | 1000 | 475x175x340/367 | 66.5 |
| CPS 1500-2 | 2 | 1500 | 400x350x367/382 | 100.0 |
| CPS 2000-2 | 2 | 2000 | 490x350x367/382 | 132.0 |
| CPS 3000-2 | 2 | 3000 | 710x350x367/382 | 210.0 |

Cellpower family

Cellpower supplies a broad range of reliable AGM, GEL and Lithium batteries. Each product series has its own unique characteristics, so that there is a suitable battery for every application with its associated specific usage profile. Combined with the right Cellpower battery accessories, you're able to assemble a high-quality and reliable battery system.

The sealed, maintenance-free AGM lead battery type has a long operational lifetime. When used correctly, the Absorbent Glass Mat (AGM) technology offers dependable, lasting service. Additionally, AGM batteries exhibit very little self-discharge when compared with other lead-acid batteries. Sealed lead-acid batteries require low maintenance and do not need to be refilled with water or other liquids.

