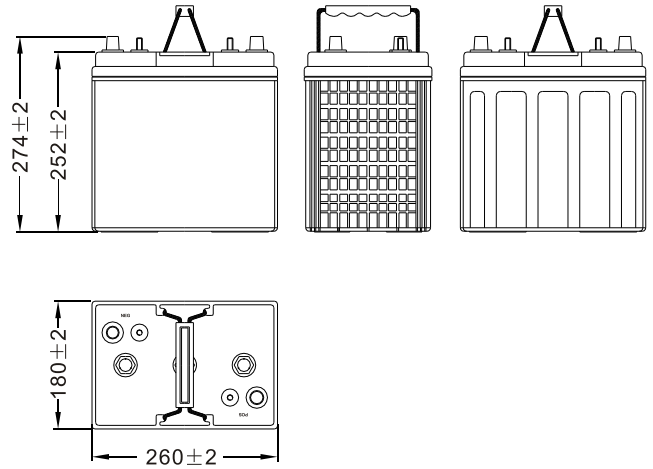


**CPT 422-8**

**Cyclic battery**



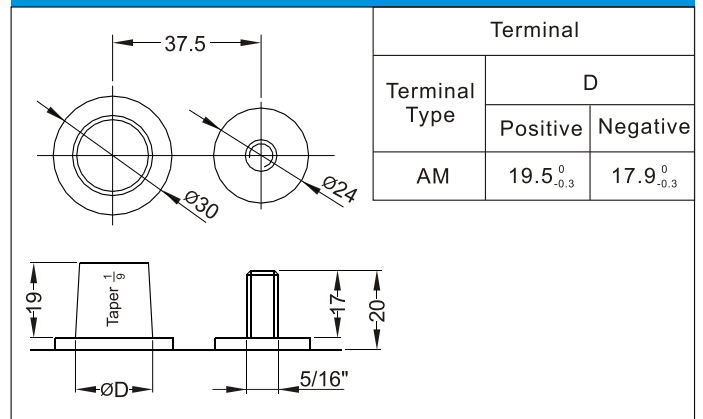
**Dimensions (mm)**



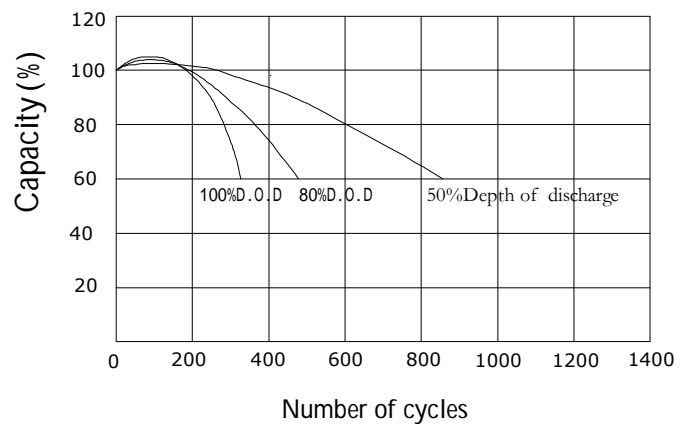
**Physical Specification (mm)**

|                        |                                       |                        |
|------------------------|---------------------------------------|------------------------|
| Nominal Voltage        | 6V                                    |                        |
| Nominal Capacity(20HR) | 213Ah                                 |                        |
| Nominal Capacity(5HR)  | 185Ah                                 |                        |
| Dimension              | Length                                | 260 ± 2mm(10.24inches) |
|                        | Width                                 | 180 ± 2mm(7.09inches)  |
|                        | Container Height                      | 252 ± 2mm(9.92inches)  |
|                        | Total Height(with Terminal)           | 274 ± 2mm(10.79inches) |
| Dry Weight             | /                                     |                        |
| Wet Weight             | Approx 30.0Kg(66.1lbs)                |                        |
| Acid                   | 1.310 ± 0.015g/cm <sup>3</sup> (25°C) |                        |
| Standard Terminal      | AM                                    |                        |
| Hold-Down              | /                                     |                        |
| Cell plate qty         | /                                     |                        |
| Case                   | Black-Material                        |                        |
| Cover                  | Black-Material                        |                        |
| Handle                 | Black-Material                        |                        |

**Standard Terminal (mm)**



Cycle life in relation to depth of discharge



**Electrical Specification**

|                  |                      |        |
|------------------|----------------------|--------|
| Rated Capacity   | 20 hour rate(10.65A) | 213Ah  |
|                  | 5 hour rate(37A)     | 185Ah  |
| Reserve Capacity | 25Amps               | 475min |
| Reserve Capacity | 75Amps               | 124min |