



## Powersine

professional DC to AC true sinewave inverter

**Description** | The PS3000-12 and PS3500-24 professional DC to AC true sinewave inverters, offer superior performance for a wide range of applications. Unlike many other inverters, the very clean and interference free output of a Powersine inverter ensures correct operation of sensitive equipment like displays, test equipment and battery chargers.

The very robust electronic and mechanical design, make the Powersine inverter series the best choice for reliability. Designed for an extremely long lifespan and protected against short circuits, overloading and high temperatures, a Powersine inverter will deliver trouble free operation for many years.

The newest available technology results in extremely efficient operation with very low 'no-load' consumption. The Automatic Standby Function (ASB), standard in all Powersine inverters, will even reduce the no-load consumption by an extra 70%!

All Powersine inverters are easy to install and operate. Due to smart connection bay mapping of AC, DC and control connectors, all wiring can be installed in a fast and logical way.

## Features

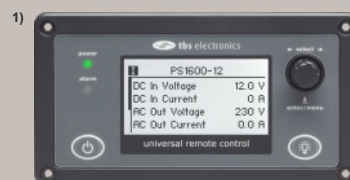
- True sinewave AC output
- Robust industrial design
- High surge power output
- Very efficient
- Protected against high/low battery voltage, high temperature, overload, short circuit and high ripple voltage
- Programmable Automatic Standby function to reduce no-load power consumption
- Variable speed fan for silent operation
- Remote on/off capability
- 16A programmable alarm relay
- Remote control capability via TBSLink
- Easy to access connection bay for installing AC-, DC and control wiring
- Trigger input
- CE certified
- 24 month warranty

## Applications

- Recreational vehicles
- Marine applications
- Solar power systems
- Industrial systems
- Mobile entertainment systems
- Service vehicles
- Remote homes

## Accessories

- Universal Remote Control with LCD<sup>1)</sup>
- Basic Remote Control with LEDs
- DC cable kits
- TBSLink communication kit including software



Parameter		PS3000-12 (art. no. 5008300)	PS3500-24 (art. no. 5008320)
Output power <sup>1)</sup>	Pnom	2600VA	2800VA
	P10minutes	3200VA	3800VA
	Psurge	5000VA	6500VA
Output voltage		230Vac ± 2%	
Output frequency		50Hz or 60Hz ± 0.05%	
Output waveform		True sinewave (THD < 5% <sup>1)</sup> @ Pnom)	
Admissible cos φ of load		0.2 – 1 (up to Pnom)	
Input voltage :	Nominal	12Vdc	24Vdc
	Range	10.5 <sup>2)</sup> – 16Vdc	21 <sup>2)</sup> – 32Vdc
Maximum efficiency		92%	93%
No load power consumption <sup>3)</sup> [ASB]		<20W [3.5W]	<22W [4W]
ASB threshold		Variable	
Operating temperature range (ambient)		-20°C ... +50°C (humidity max. 95% non condensing)	
Storage temperature range		-40°C ... +80°C (humidity max. 95% non condensing)	
Cooling		Variable speed fan controlled by temperature and load	
TBSLink enabled		Yes	
Protected against		Short circuit, overload, high temperature, AC back feed, high/low battery voltage and high input ripple voltage	
Indications		Power on, output power bar, error and ASB mode	
DC input connections		M10 bolt terminals	
AC output connections		Screw terminals	
Enclosure body size		370 x 431 x 132mm	
Total weight		18.5 kg	
Protection class		IP21 (mounted in upright position)	
Standards		CE marked meeting EMC directive 2004/108/EC and LVD 2006/95/EC complying with EN60335-1, RoHS 2002/95/EC	

Note: the given specifications are subject to change without notice.

<sup>1)</sup> Measured with resistive load at 25°C ambient. Power ratings are subject to a tolerance of 10% and are decreasing as temperature rises with a rate of approx. 1.2%/°C starting from 25°C

<sup>2)</sup> Undervoltage limit is dynamic. This limit decreases with increasing load to compensate the voltage drop across cables and connections

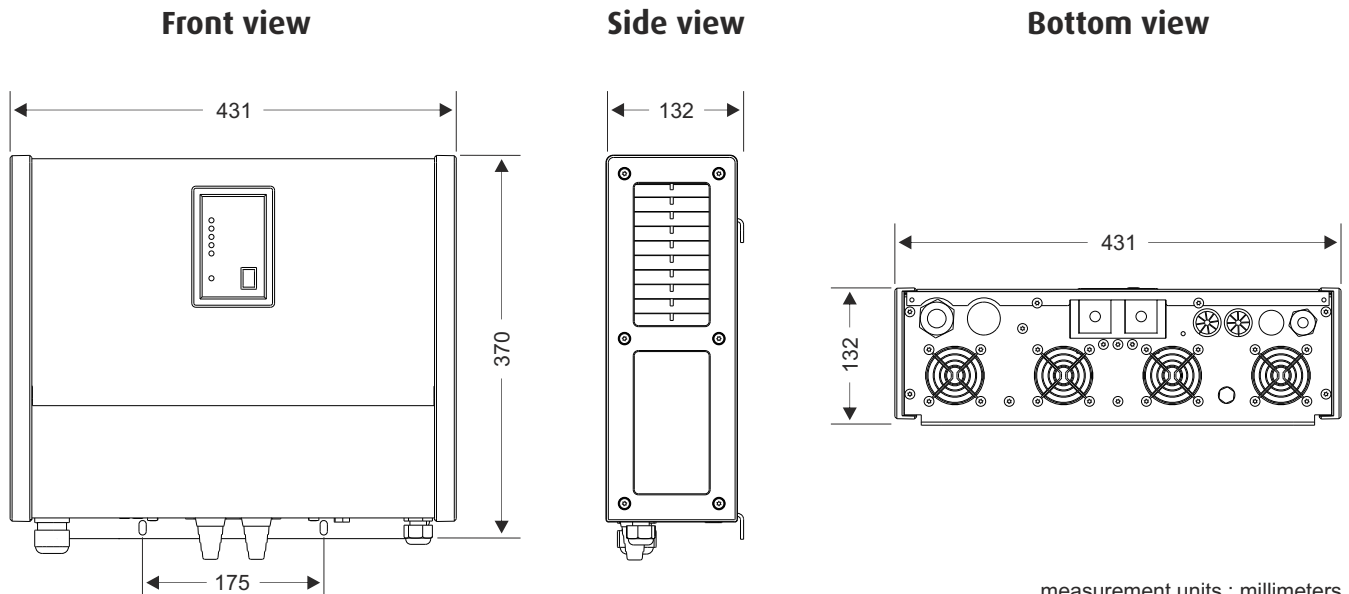
<sup>3)</sup> Measured at nominal input voltage and 25°C



Waarderveldweg 3 2031 BK Haarlem The Netherlands

Tel +31 23 514990, Fax +31 23 )% -- \$- Email: sales@intercel.nl

## Dimensions



measurement units : millimeters